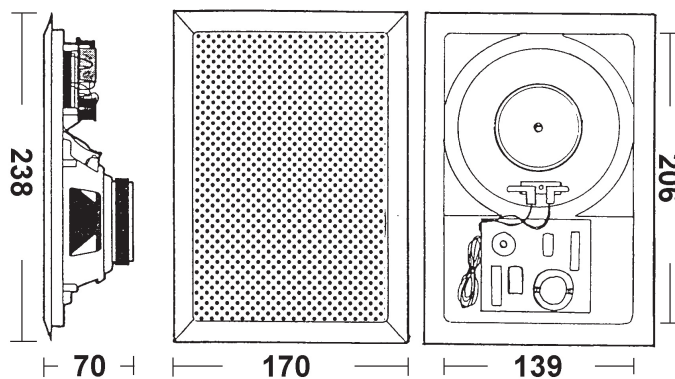




WALL MOUNTED 2-WAY LOUDSPEAKERS



□ 0926001



ALTOPARLANTI A 2 VIE PER MONTAGGIO A PARETE

- Installazione su pareti in muratura, controsoffitti, etc...
- Struttura in ABS bianco verniciabile resistente fino 120°C
- Griglia smontabile in metallo
- Controtelaio smontabile in metallo
- Woofer Ø 130mm in polipropilene
- Tweeter a cupola Ø 25mm

WALL MOUNTED 2-WAY LOUDSPEAKERS

- Recess installation on masonry walls, false ceilings, etc...
- White paintable ABS case heat-resistant up to 120°C
- Demountable metal grid
- Recessable metal counterframe
- Polypropylene woofer Ø 130mm
- Dome tweeter Ø 25mm

LOGISTIC INFORMATION

- Shipping carton: pcs
- Shipping carton size: cm
- Unit gross weight: Kg
- Gift box size: cm
- Colours: White
- Cntr 40" pcs - cntr 20" pcs
- Web: www.trevi.it
- E-mail: info@trevi.it

WM 9260