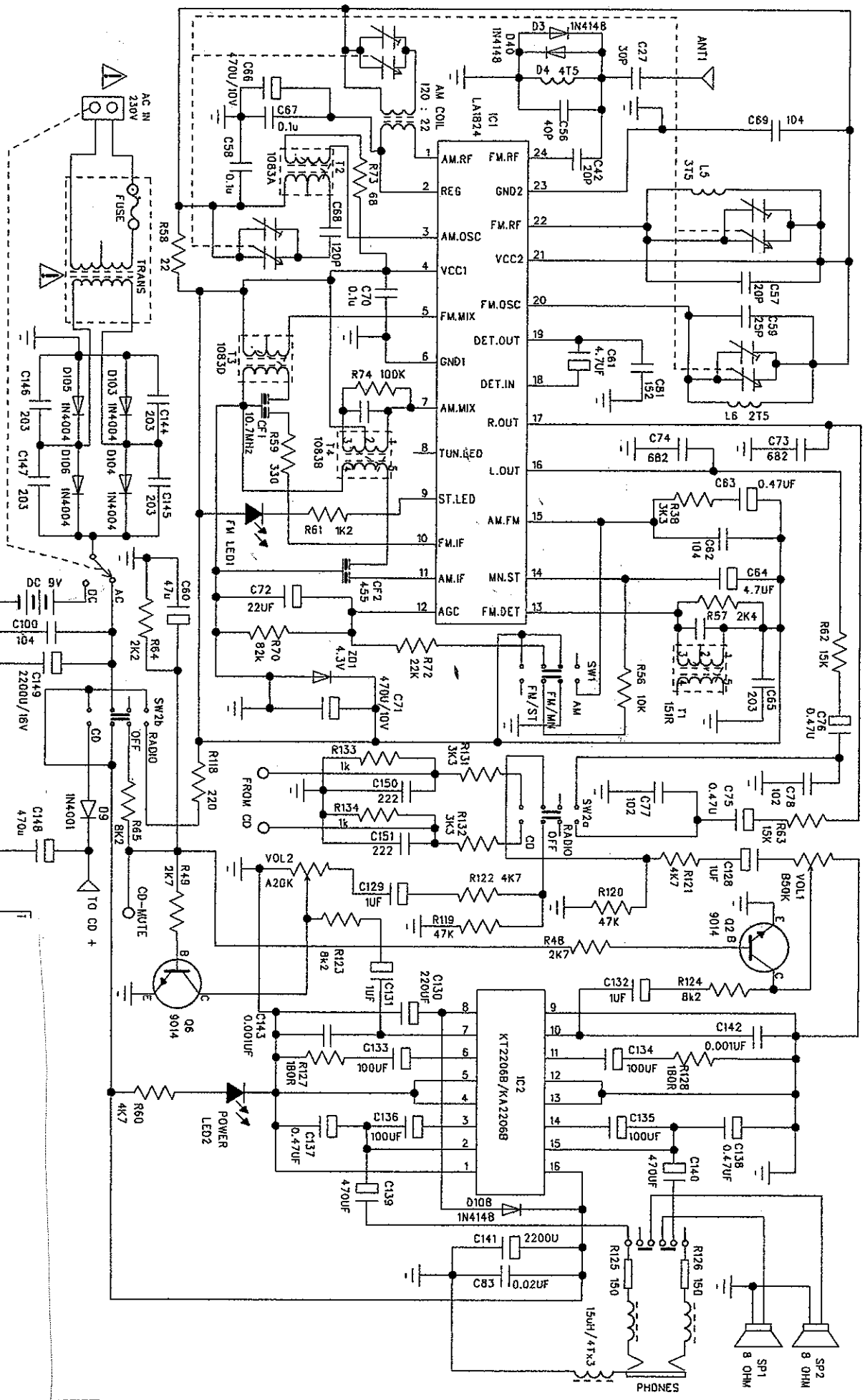




REVISD Circuit.



P.C.B.NO.: 001-COM209A-001

NOTE: Subject to change without notice for improvement!

TREVI CMP 528/530

1 2 3 4 5 6 7 8 9 10 11 12 13 14 15 16 17 18 19 20 21 22 23 24