

MOTOR input Choose

Sony	R14	R25	R35	OR	R39	3.3K
Sony	R14	R25	R35	OR	R39	3.3K
Samsung	R14	R25	R35	OR	R39	8.2K

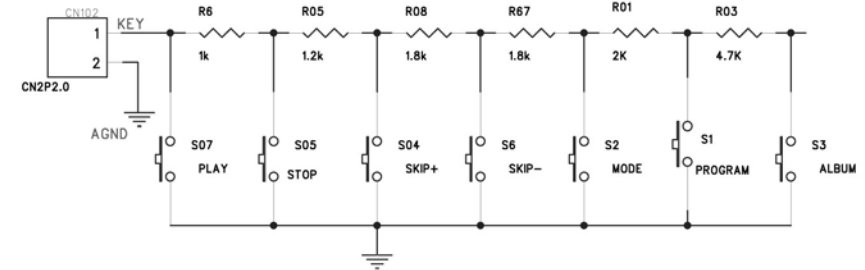
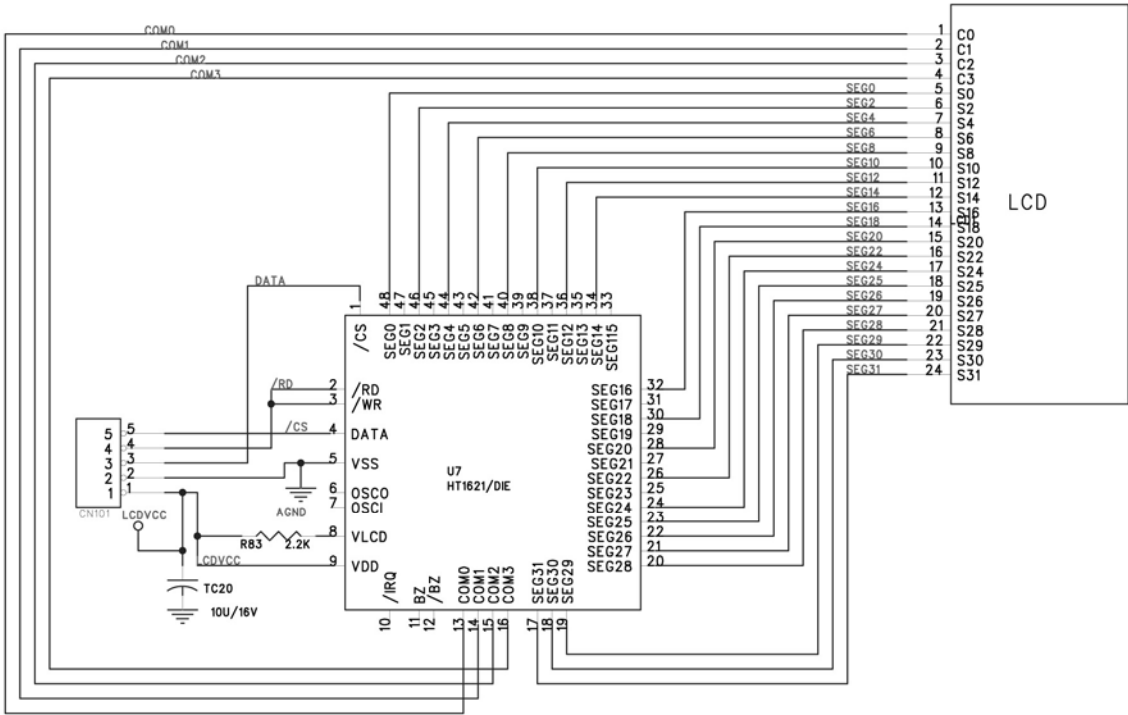
SPIN+ SPIN- SLED+ SLED- LIMIT1 LIMIT2

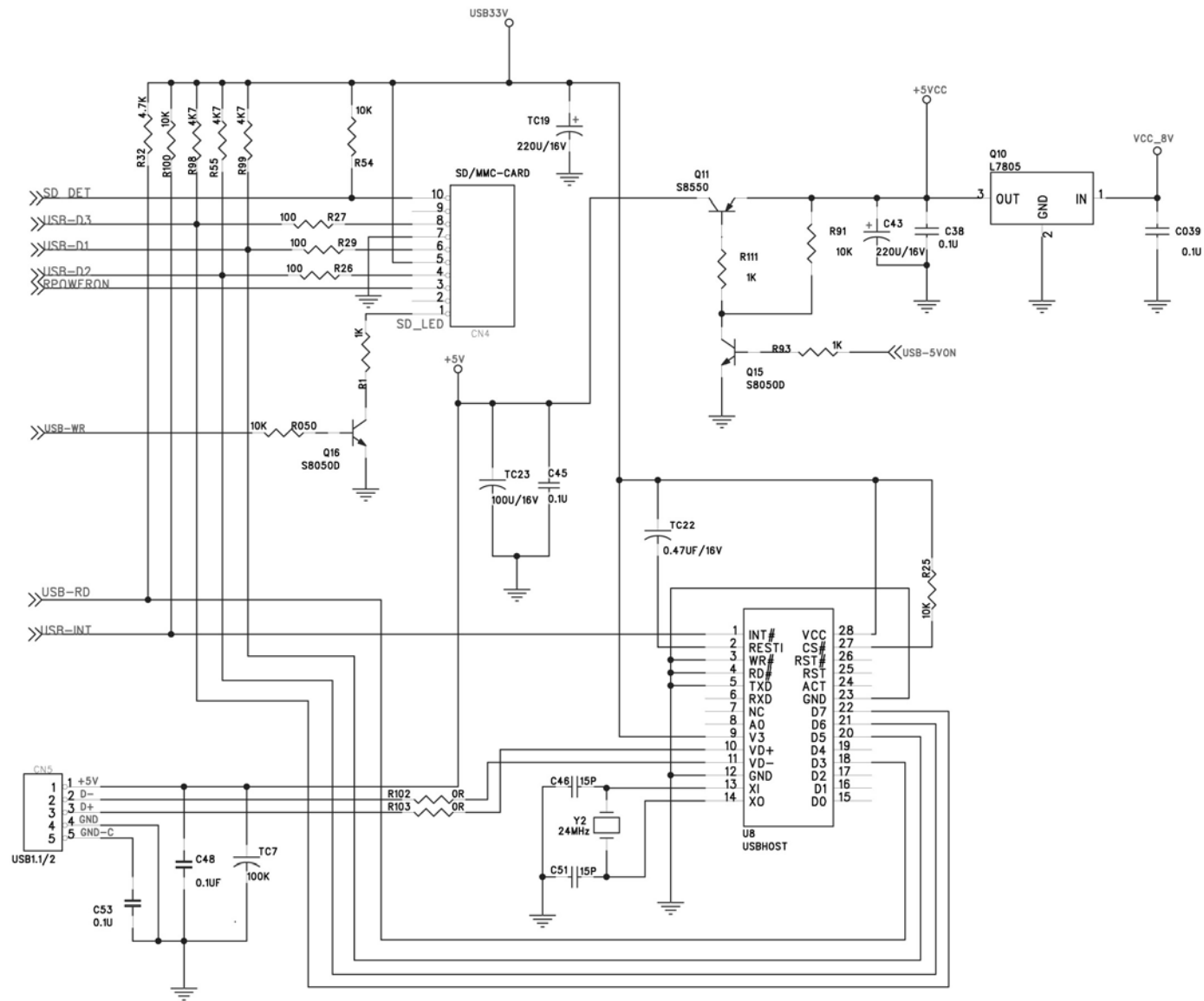
SPIN+	SPIN-	SLED+	SLED-	LIMIT1	LIMIT2
-------	-------	-------	-------	--------	--------

FOCUS+ FOCUS- T+ T- TA TA

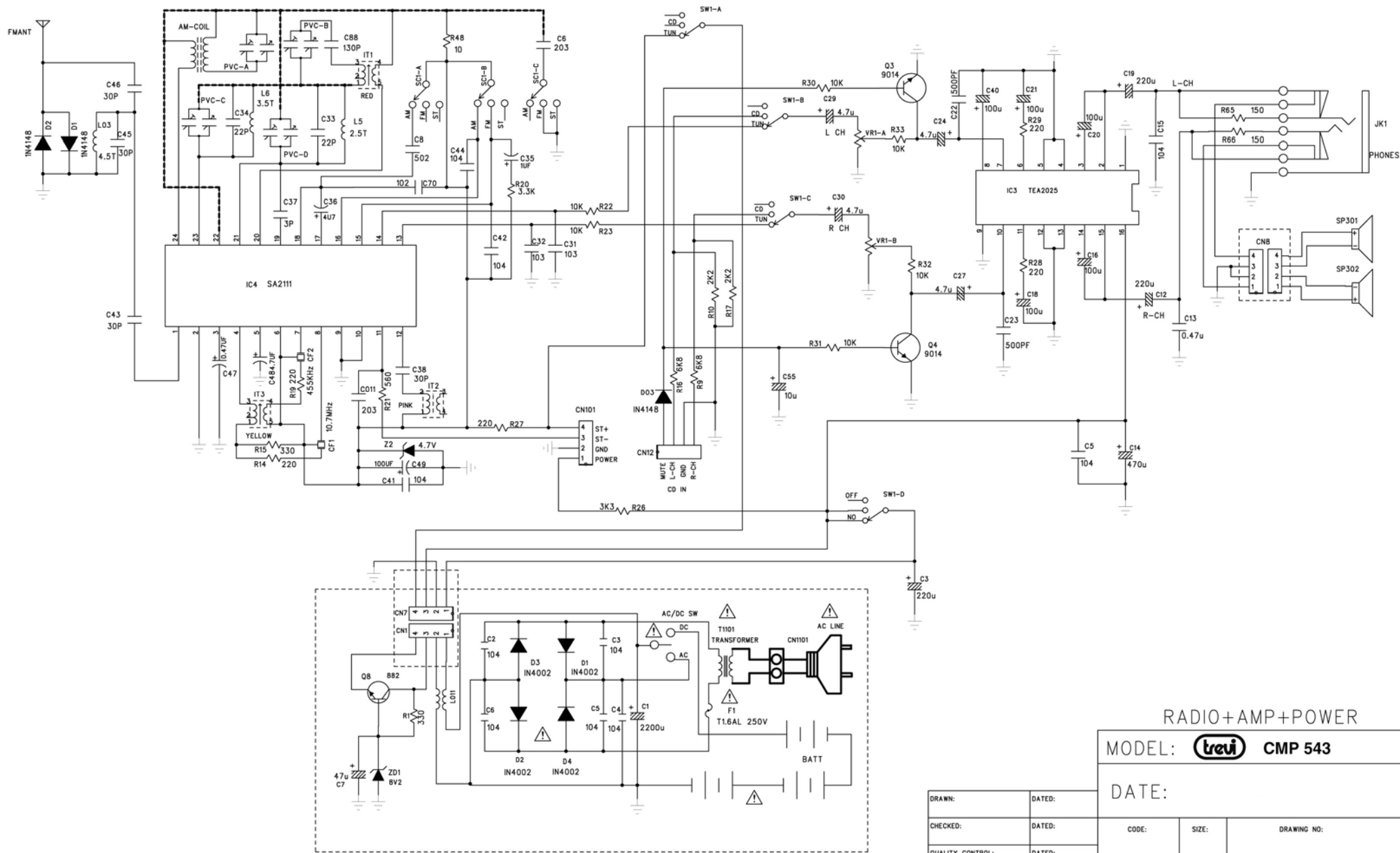
FOCUS+	FOCUS-	T+	T-	TA	TA
--------	--------	----	----	----	----

	Internal Flash	Internal MCU Mode
Flash only (default)	R48	R45
Flash only	1	1
Flash + Internal Flash	0	1
Flash major	0	0





REVISION RECORD			
LTR	ECO NO:	APPROVED:	DATE:



RADIO+AMP+POWER

MODEL: **trevi** CMP 543

DATE:

DRAWN:	DATED:	CODE:	SIZE:	DRAWING NO:	REV:
CHECKED:	DATED:				
QUALITY CONTROL:	DATED:				
RELEASED:	DATED:				
SCALE:				SHEET: OF	