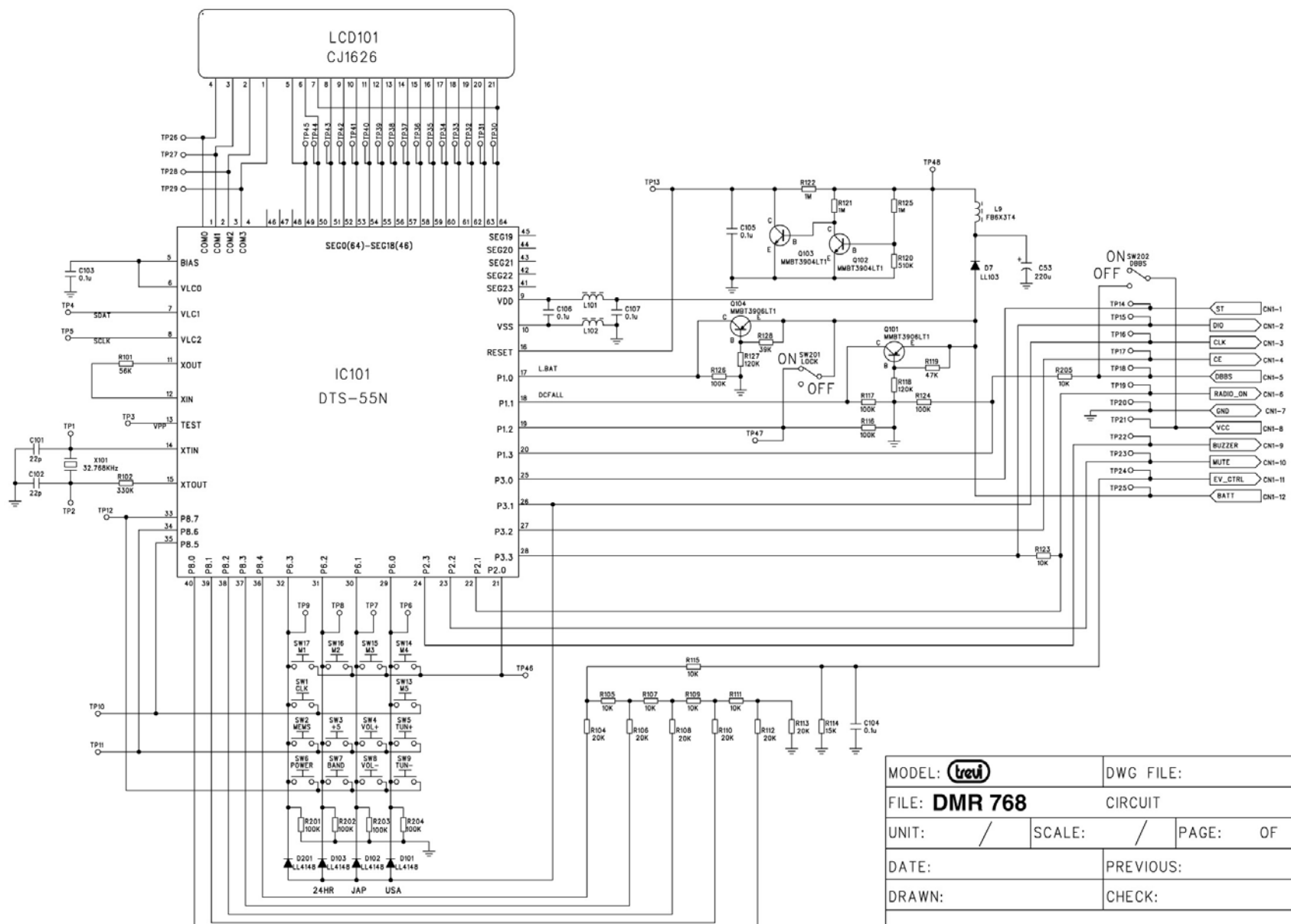


REMARK: C39:22PFORANCE T056P

- L1 FM BPF R 4.0 X 4.5T X 0.5D
- L2 AM ANT 70:40 #40 WITH AM BAR
- L3 FM RF R 4.0 X 4.5T X 0.5D
- L4 FM OSC R 3.0 X 4.5T X 0.5D

MODEL: <b>trevi</b>	DWG FILE:	
TITLE: <b>DMR 768 MAIN CIRCUIT</b>		
UNIT: /	SCALE: /	PAGE: OF
DATE:	PREVIOUS:	
DRAWN:	CHECK:	



MODEL: <b>trevi</b>	DWG FILE:	
FILE: <b>DMR 768</b>	CIRCUIT	
UNIT: /	SCALE: /	PAGE: OF
DATE:	PREVIOUS:	
DRAWN:	CHECK:	