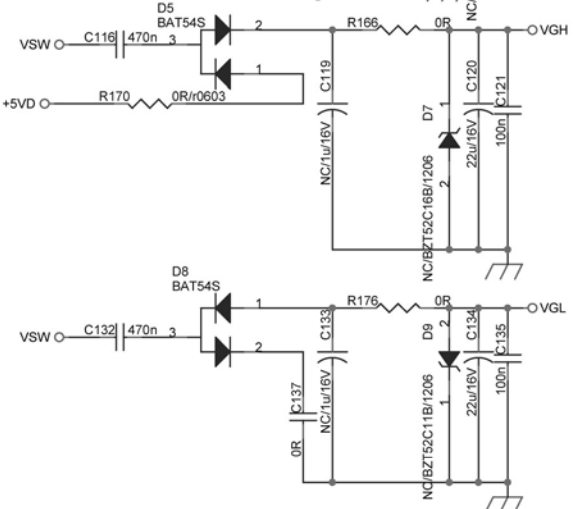
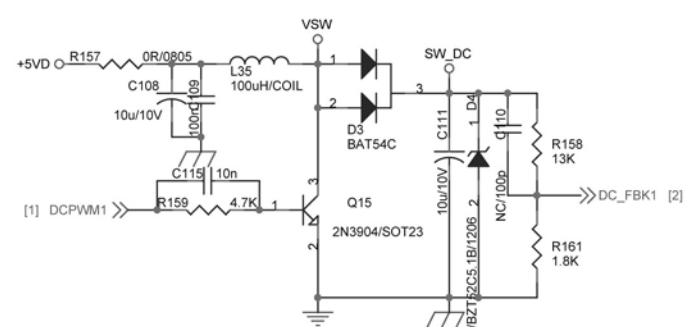


# AUDIO MUTE CIRCUIT

<b>trevi</b>		
Title <b>DPH 2209</b>		
Size	Document Number	Rev
Date:	Sheet	of



[1] LRC >> P LRC

[1] UDC >> P UDC

[1] STHR >> P STHR

[1] STHL >> P STHL

[1] OEH >> P OEH

[1] OEV >> P OEV

[1] CKV >> P CLKV

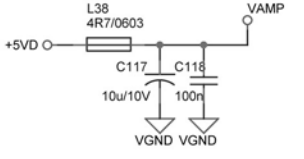
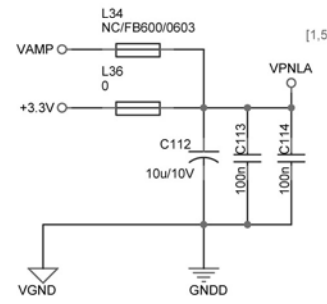
[1] STVU >> P STVU

[1] STVD >> P STVD

[1] PCK2 >> R401 NC/OR CPH2

[1] PCK3 >> R402 NC/OR CPH3

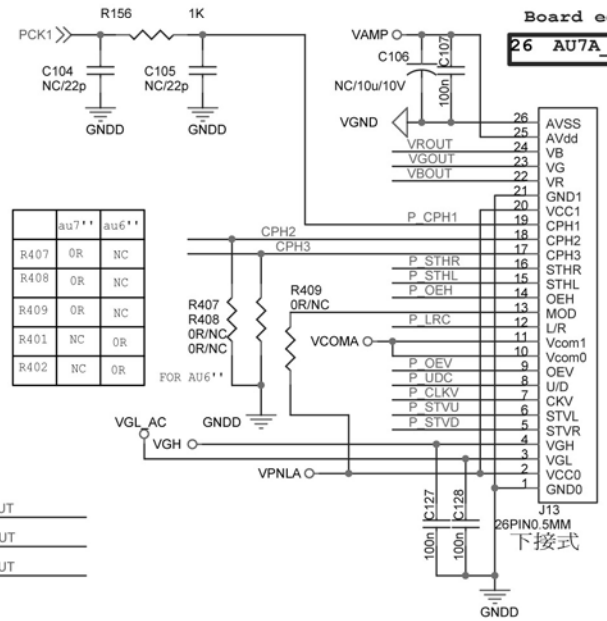
FOR AU6\*\*



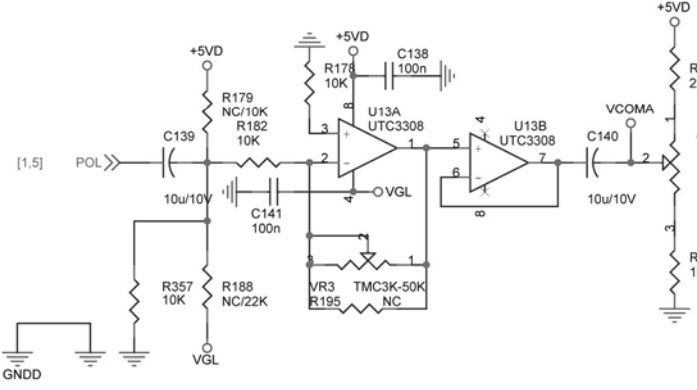
[1] AMP\_R >> C122 | 0/0805 >> VBOOUT

[1] AMP\_G >> C124 | 0/0805 >> VGOUT

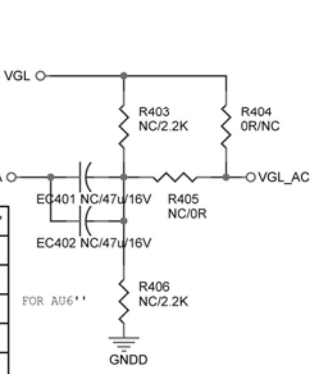
[1] AMP\_B >> C125 | 0/0805 >> VROUT



Standard 7" panel:  
VGH=+15V/VGL=-10V

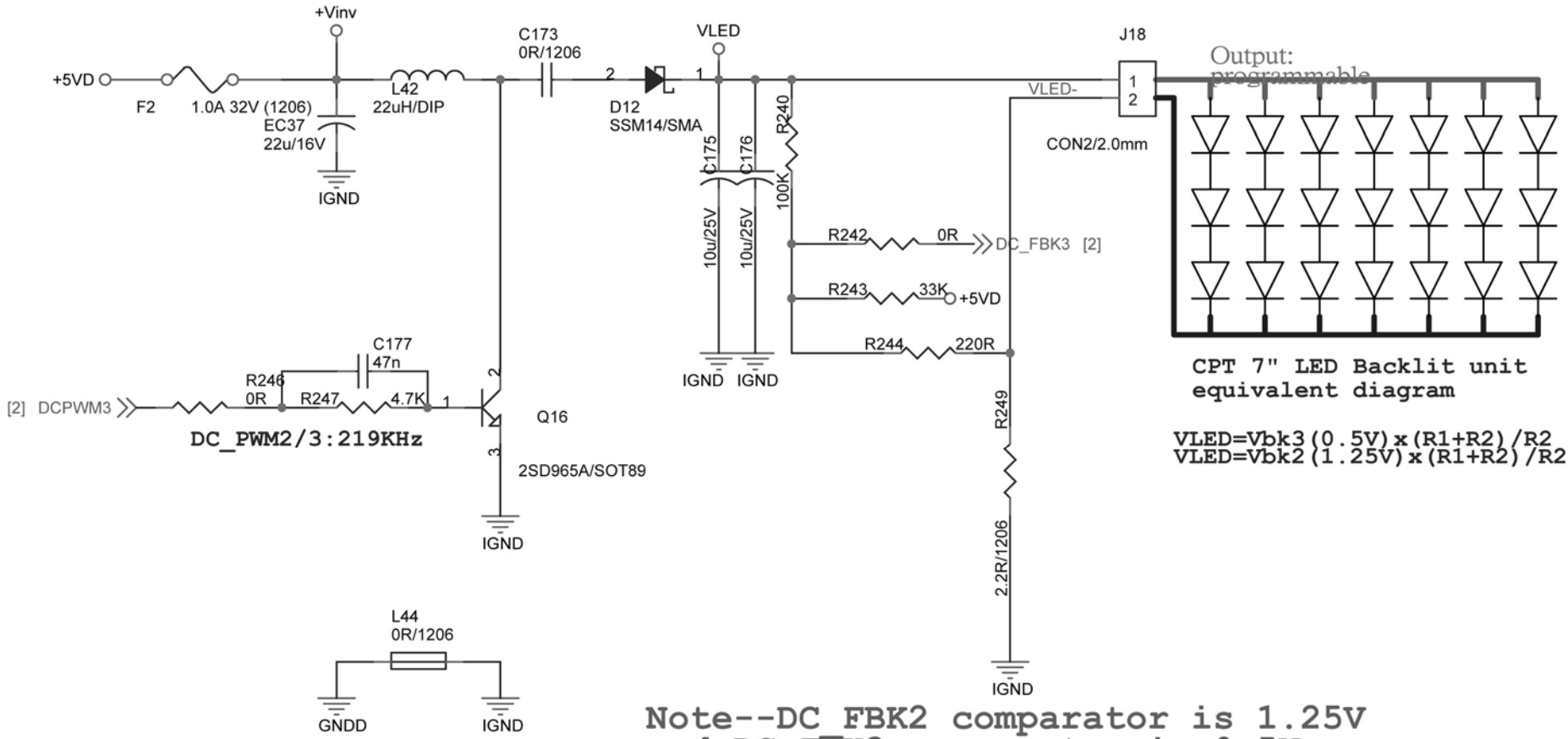


	au6**	au7**
R403	2.2K	NC
R404	NC	0R
R405	0R	NC
R406	2.2K	NC
EC401	100	NC
EC402	100	NC



Title		
DPH 2209		
Size	Document Number	Rev
Date:	Sheet	of

# LED BACKLIT application circuit



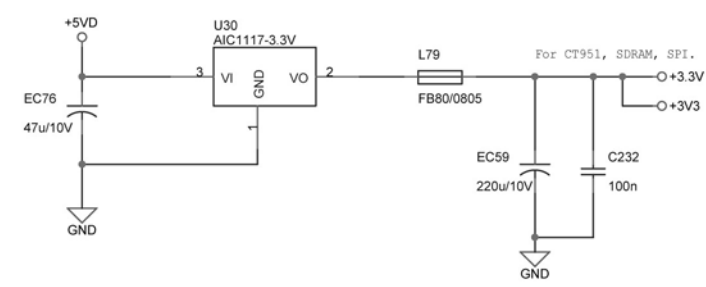
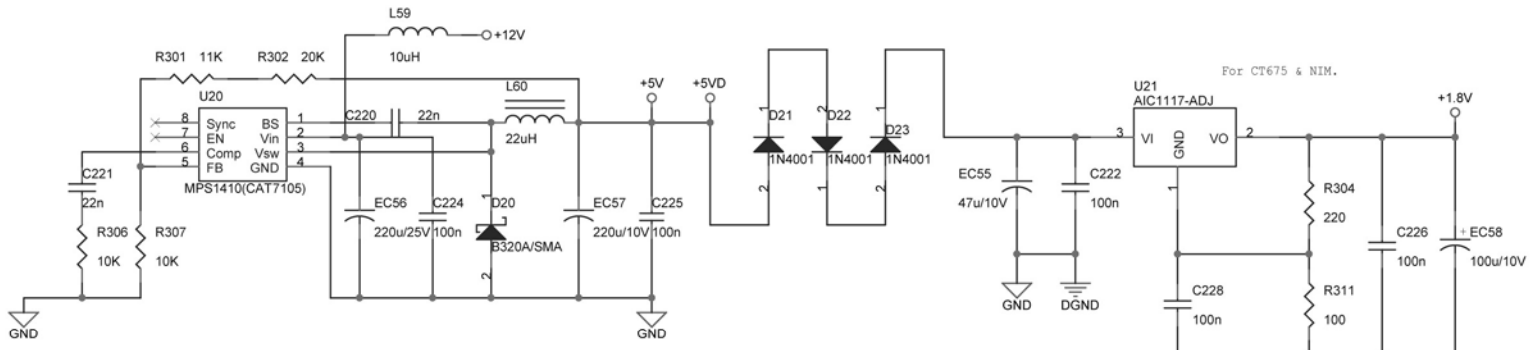
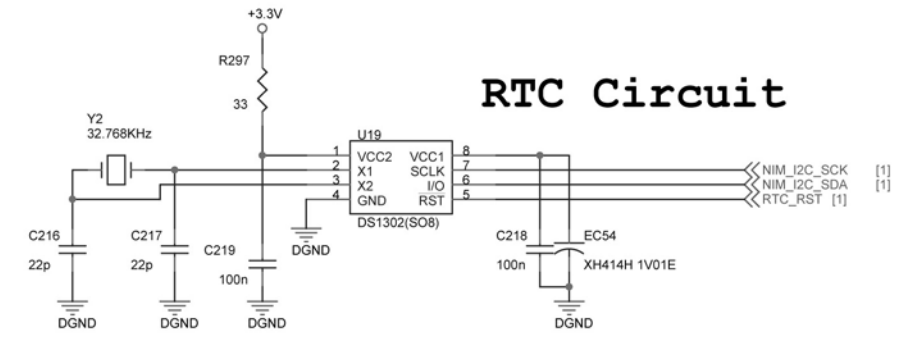
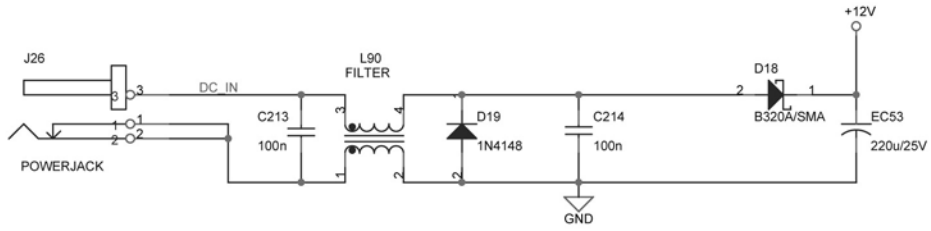
CPT 7" LED Backlit unit  
equivalent diagram

$$V_{LED} = V_{bk3} (0.5V) \times (R1+R2) / R2$$

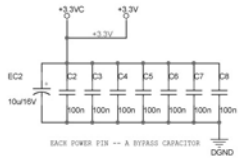
$$V_{LED} = V_{bk2} (1.25V) \times (R1+R2) / R2$$

Note--DC FBK2 comparator is 1.25V  
and DC\_FBK3 comparator is 0.5V.

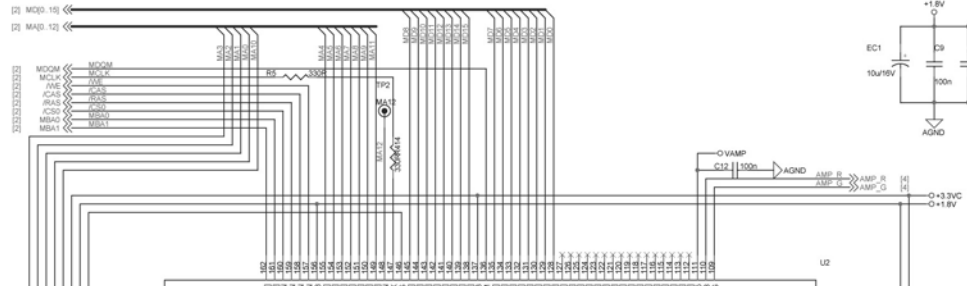
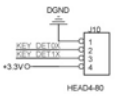
Title <b>DPH 2209</b>		
Size	Document Number	Rev
Date:	Sheet	of



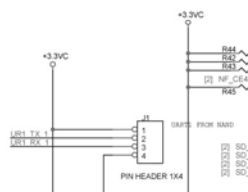
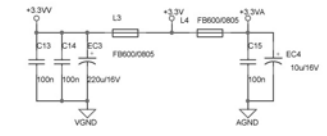
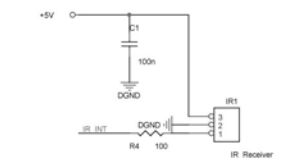
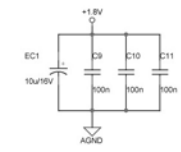
Title <b>DPH 2209</b>		
Size	Document Number	Rev
Date:	Sheet	of

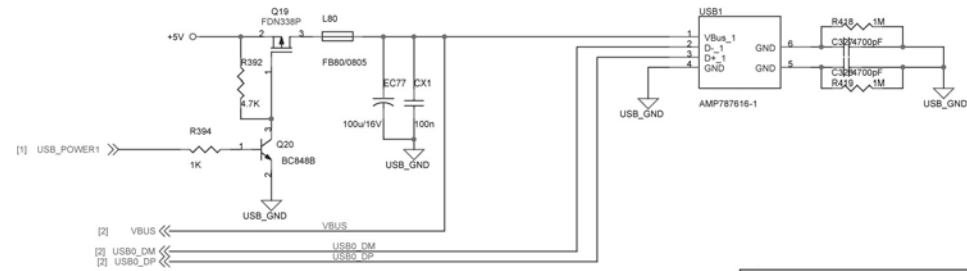
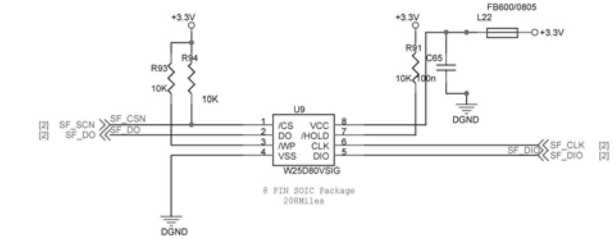
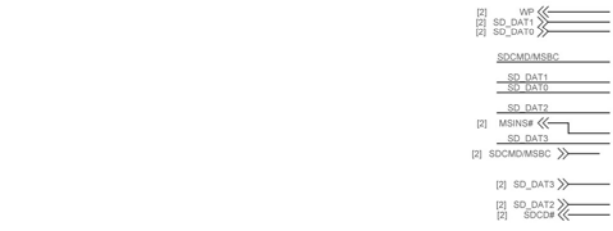
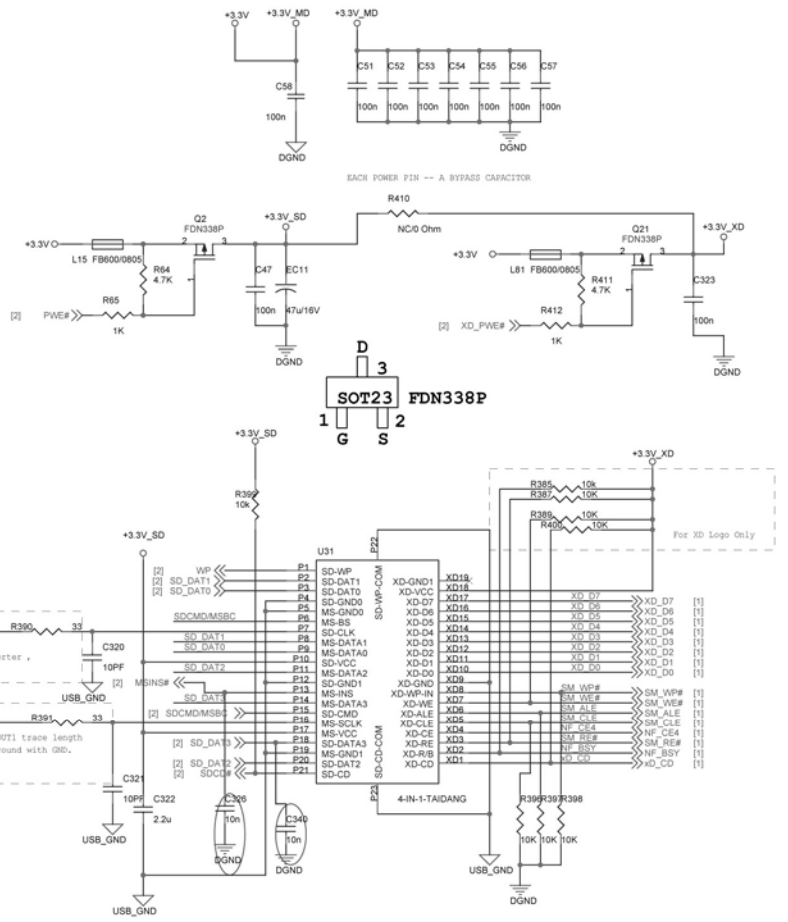
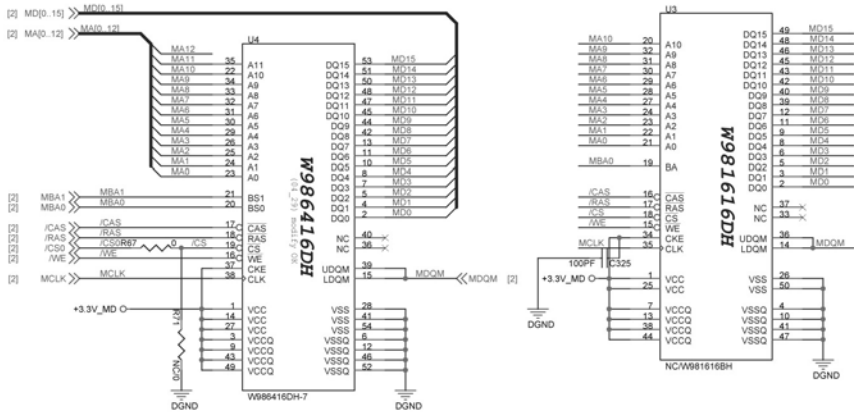


Key Board



CT955





**lreal**

File: **DPH 2209**

Size: Document Number

Date: Sheet