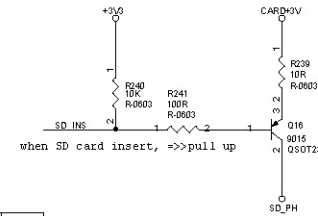
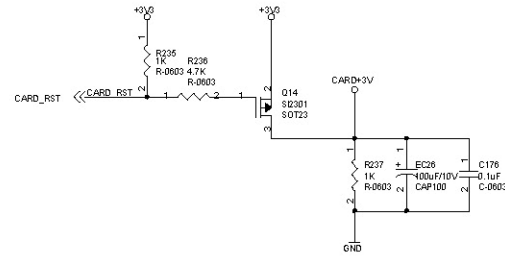
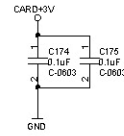
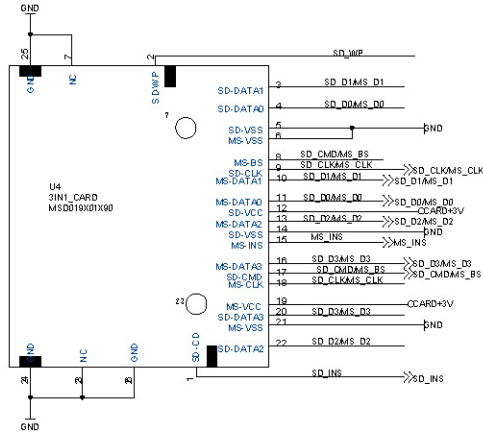


USB and Card Reader function reserved



CARD_INSERT1	CARD_INSERT2	CARD
1	1	3C
0	1	SD
1	0	MS

