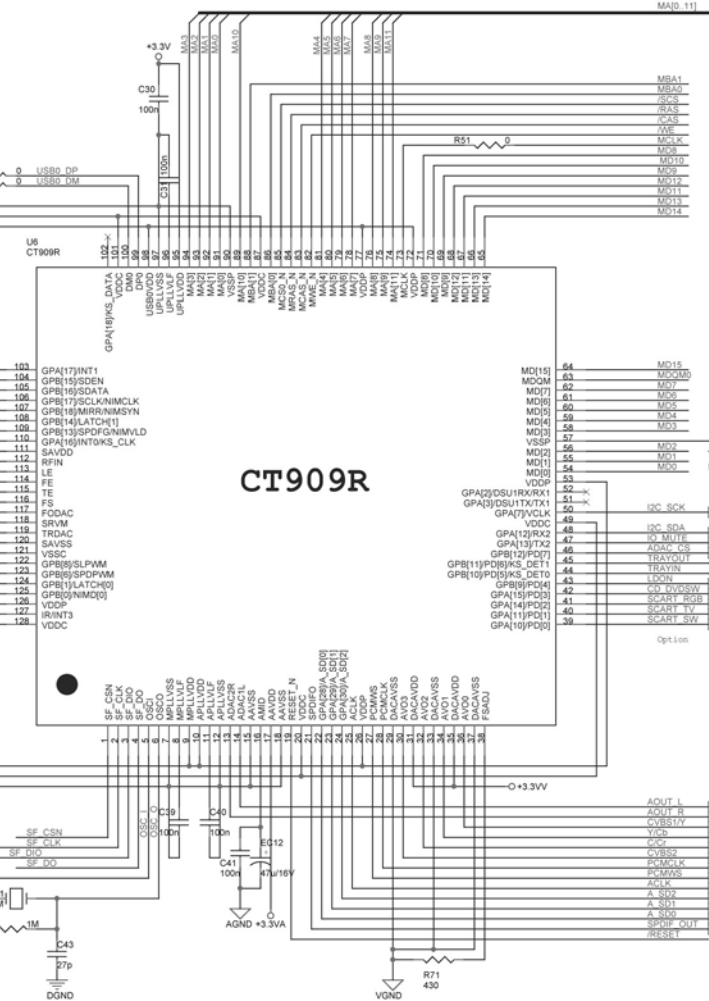
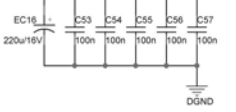
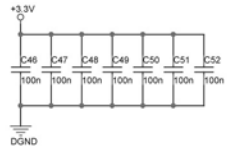
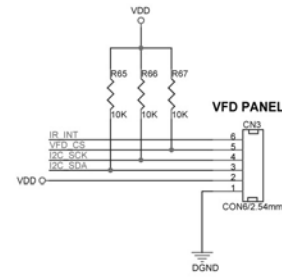
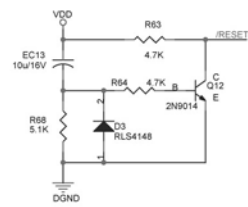
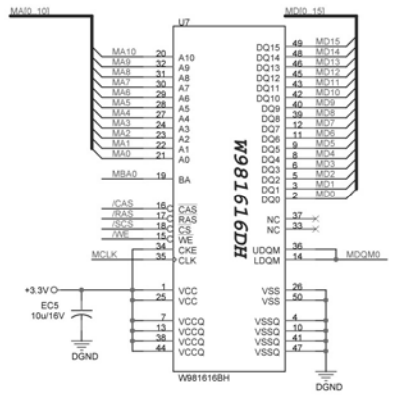
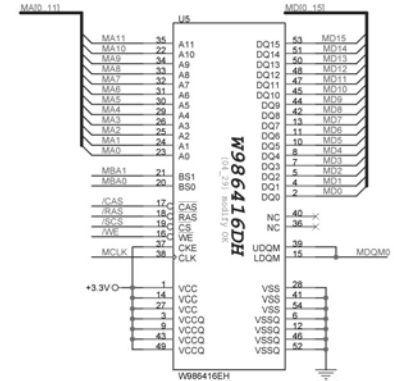
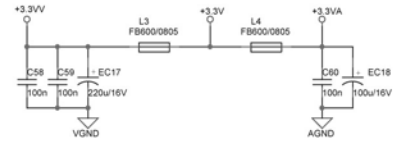


8 PIN SOIC Package
208Miles

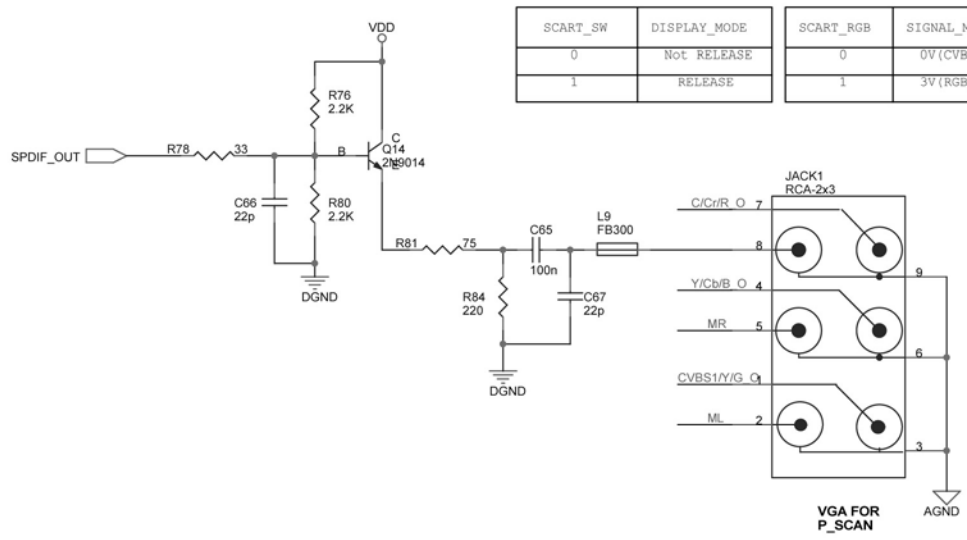
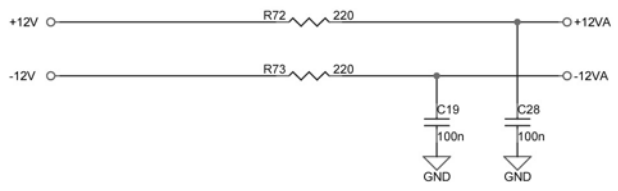
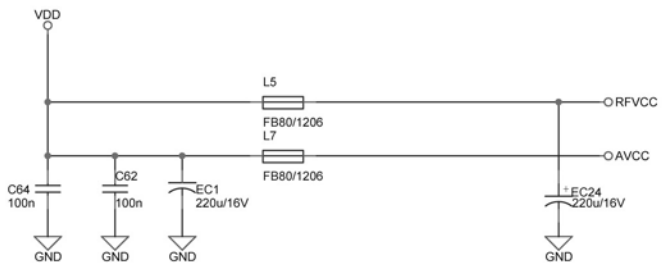


R126 = 10K	DSU MODE
R126 OPEN	NORMAL MODE

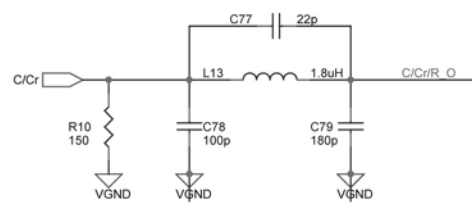
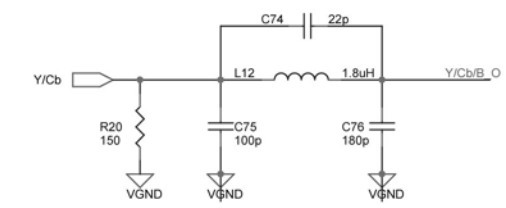
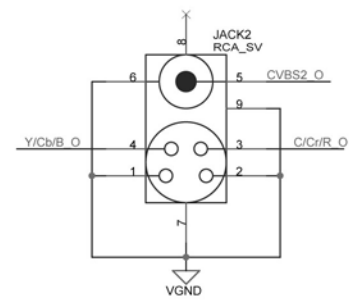
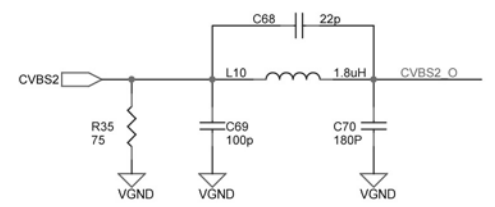
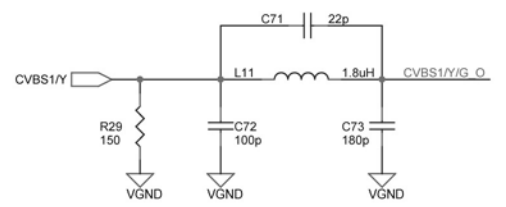
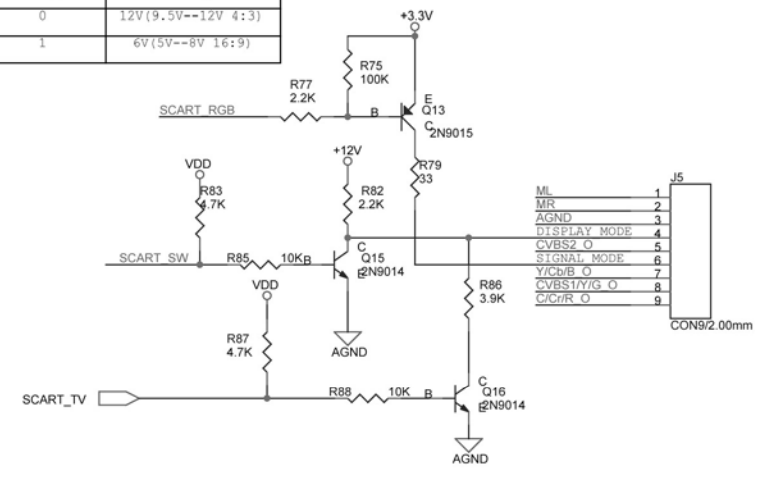


EACH POWER PIN -- A BYPASS CAPACITOR

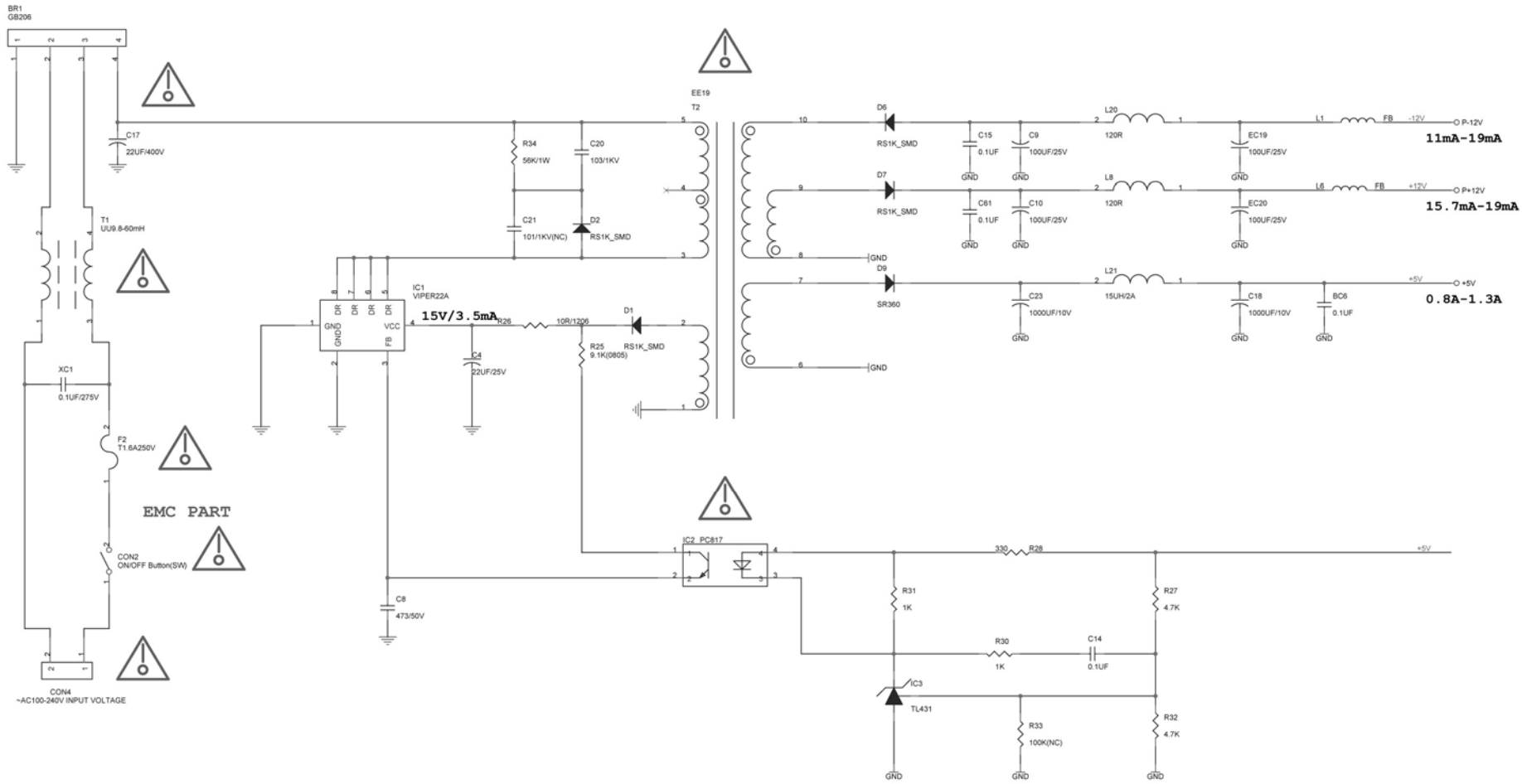
	MODEL: DXV 3531 USB	TITLE: DSP
	PART NO.:	DWG NO.:
Apprd:	SHEET:	VER:




SCART_SW	DISPLAY_MODE	SCART_RGB	SIGNAL_MODE	SCART_TV	DISPLAY_MODE
0	NOT RELEASE	0	0V(CVBS)	0	12V(9.5V--12V 4:3)
1	RELEASE	1	3V(RGB)	1	6V(5V--8V 16:9)



	MODEL: DXV 3531 USB	TITLE: POWER&CONNECTOR
	PART NO.:	DWG NO.:
Apprd:	SHEET:	VER:






EMC PART

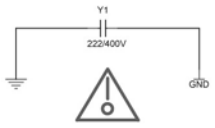
 Adjacent to relevant component denoting specific component shall be replaced only by the component specified in the circuit for safety reasons.


Note: Damage regarding service, using this product from the wall outlet and refer servicing to qualified service personnel when replacement parts are required sure the service technician has used replacement parts specified by the manufacturer or have the same characteristics, as the original.

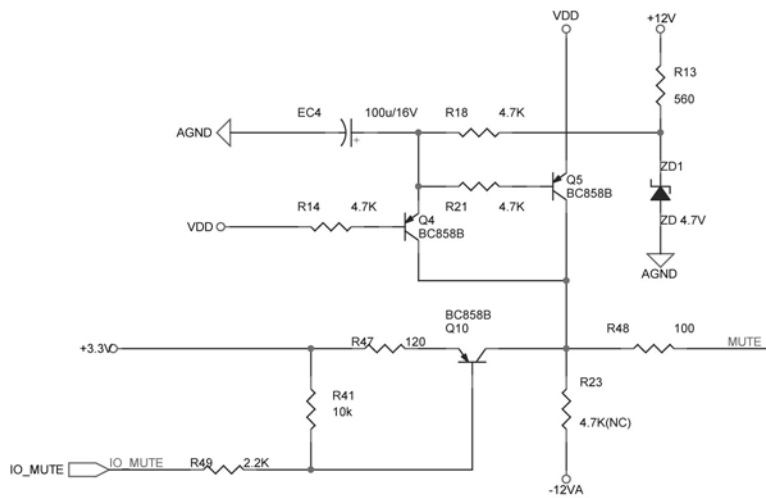
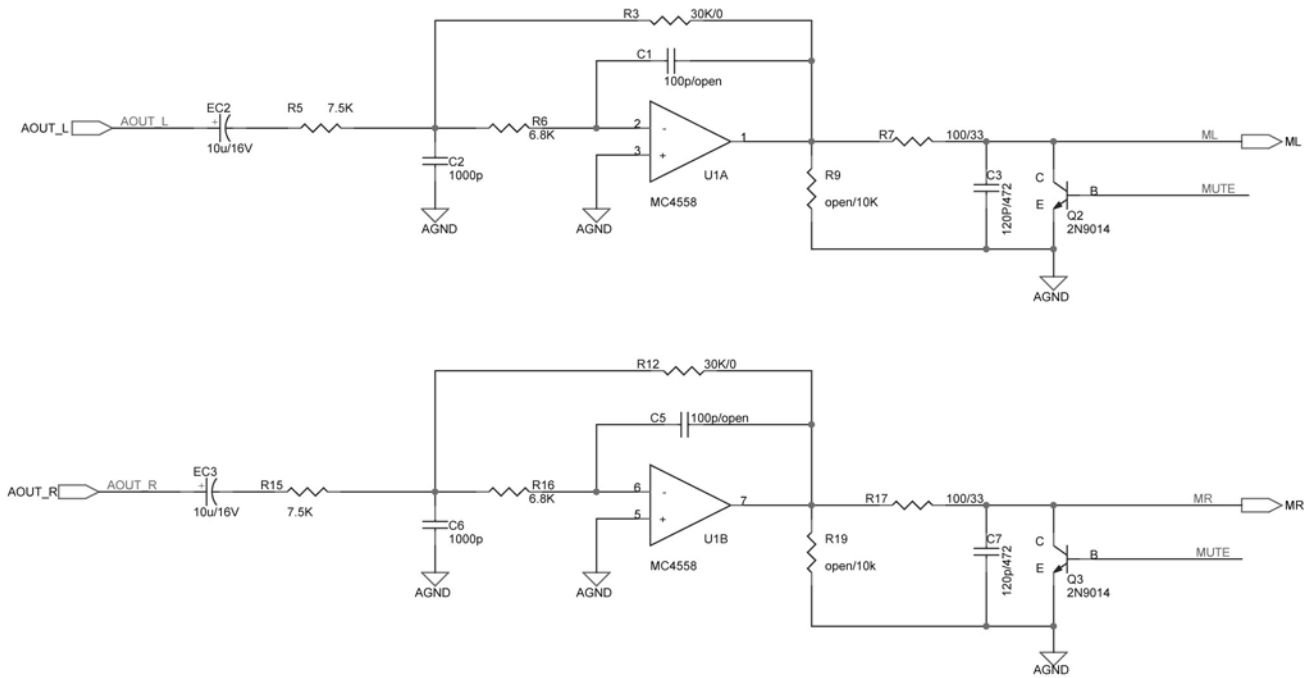
Unauthorized substitution may result in fire, electric shock or other hazards upon completion of any service or repairs this product. Ask the service technician to perform safety check to determine that product is in proper operating condition.

NOTE :

1. EARTH GND 
2. PRIMARY GND 
3. SECONDARY GND 



	MODEL: DXV 3531 USB	TITLE: switch power
	PART NO. :	DWG NO. :
Apprd:	SHEET:	VER:



	MODEL: DXV 3531 USB	TITLE: AUDIO FILTER
	PART NO.:	DWG NO.:
Apprd:	SHEET:	VER: