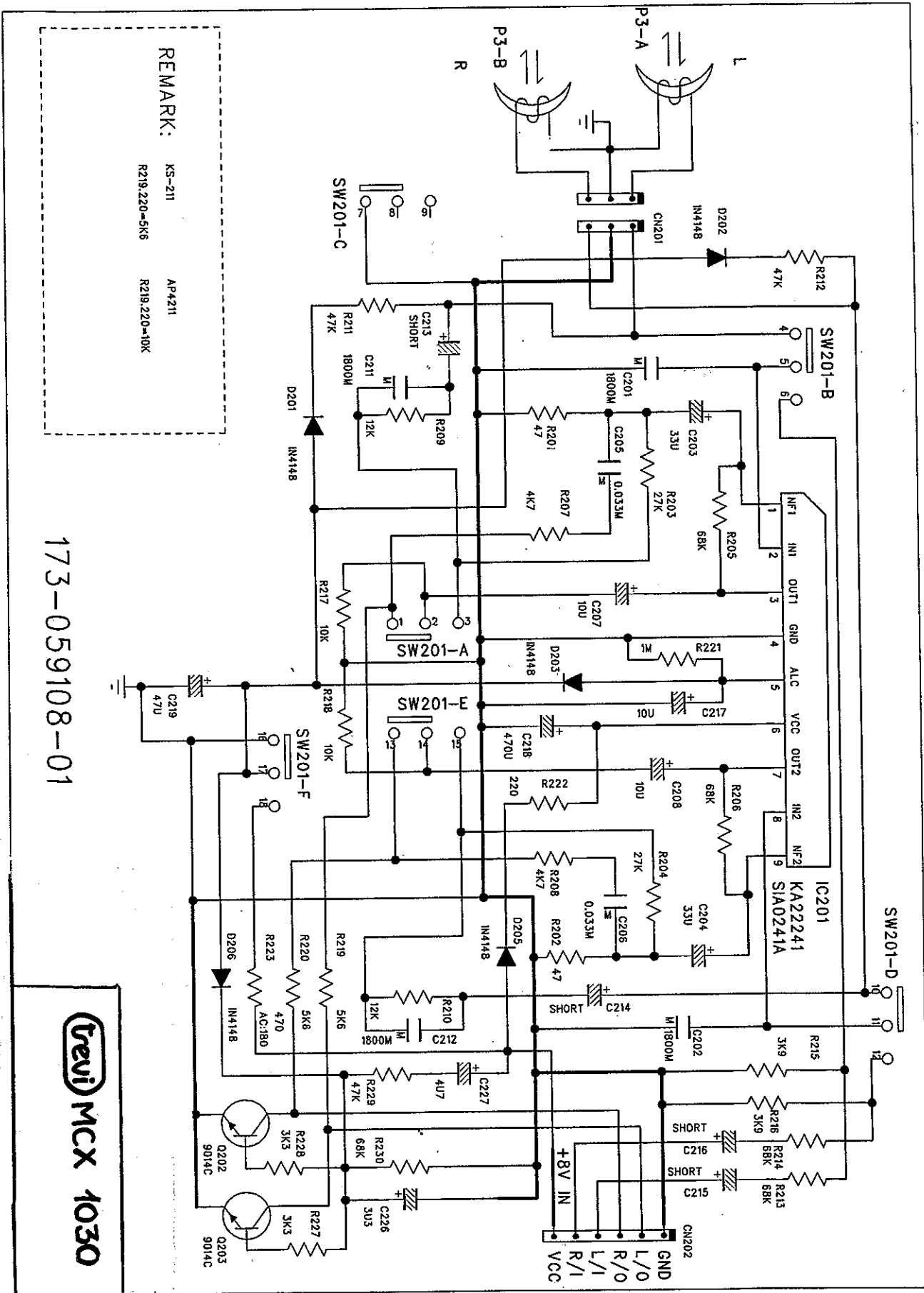


SCHMATIC DIAGRAMS



REMARK:

KS-211      AP4211

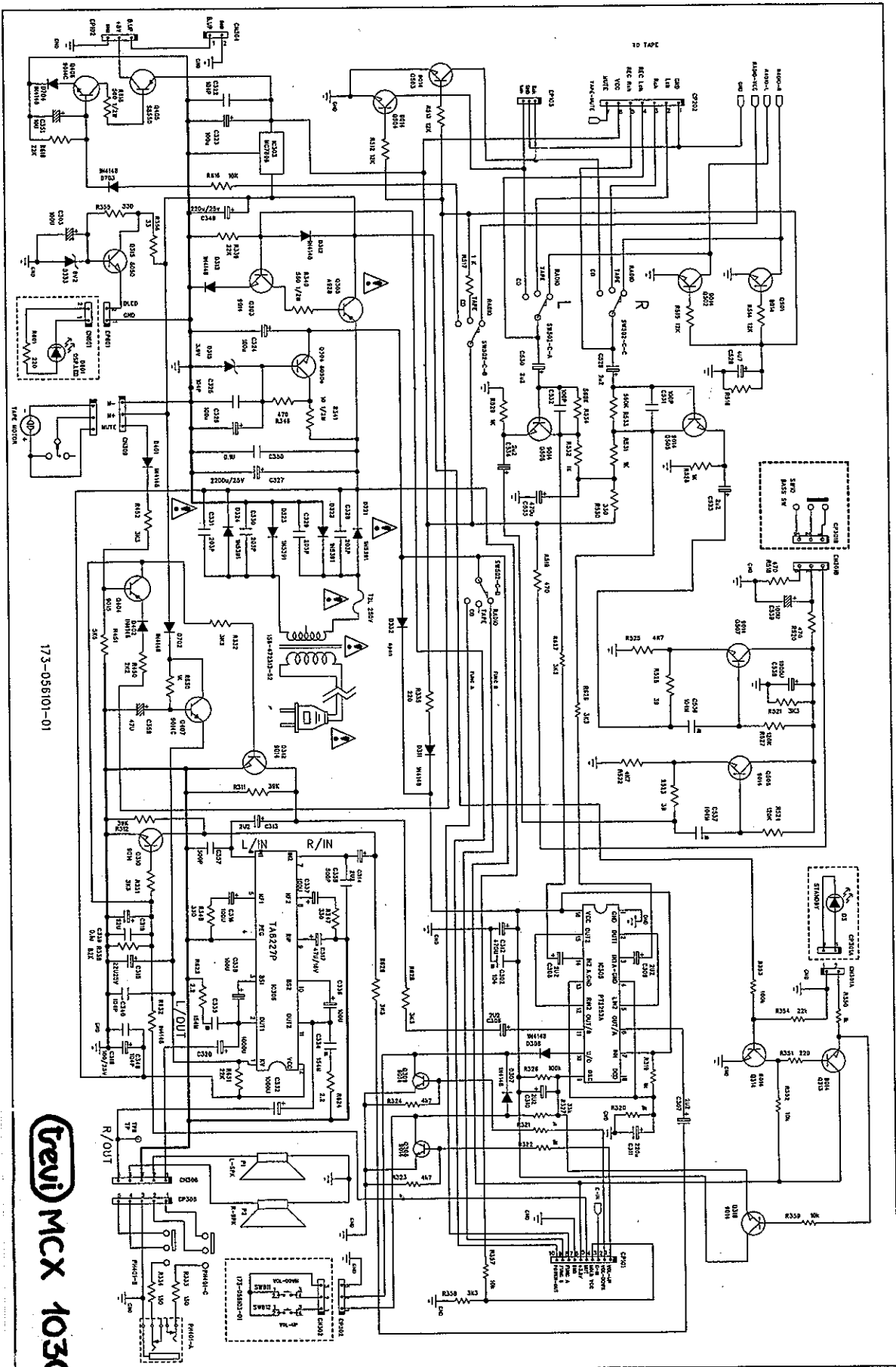
R219, 220=5K6      R219, 220=10K

173-059108-01

Trevi MCX 1030

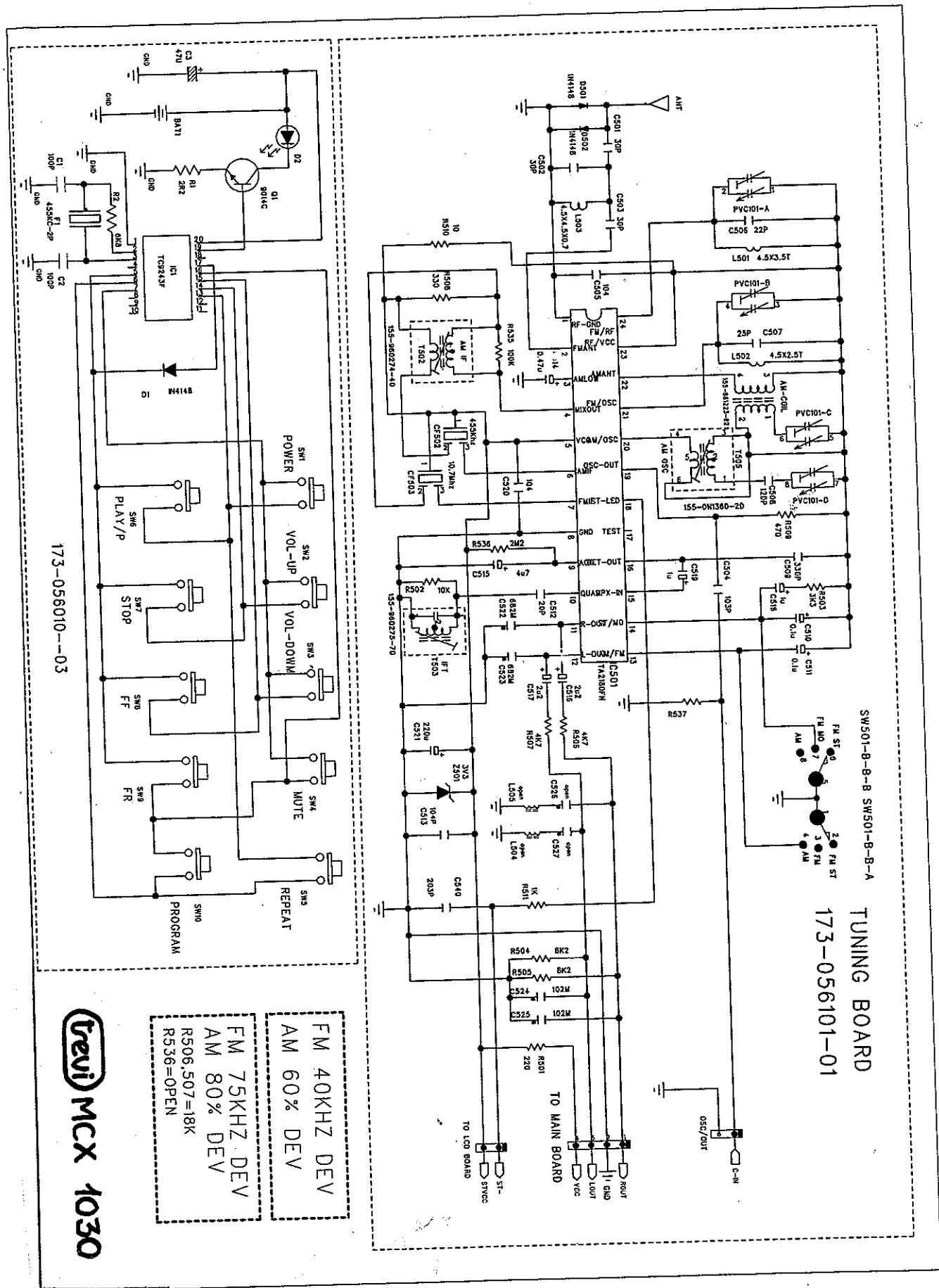


SCHEMATIC DIAGRAMS



Trevi MCX 1030

173-05610-01



173-056010--03

Trevi MCX 1030