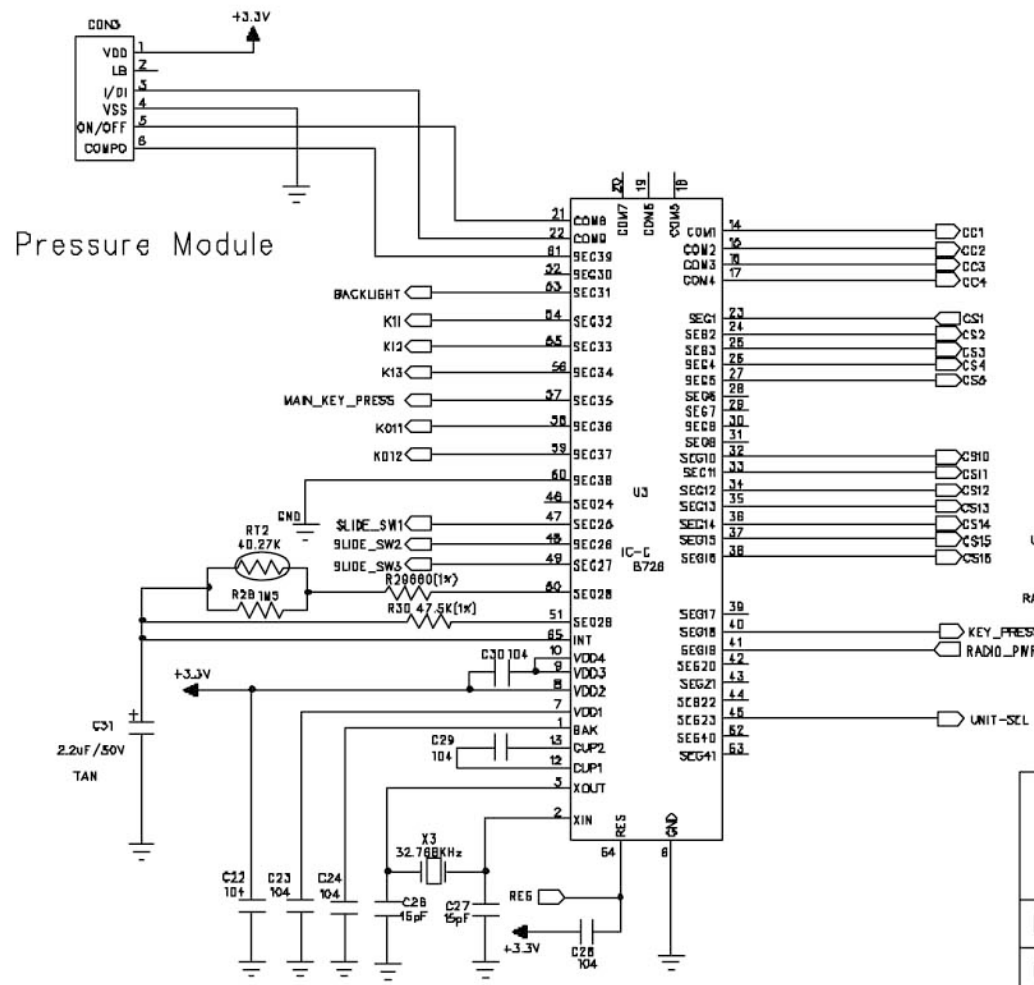
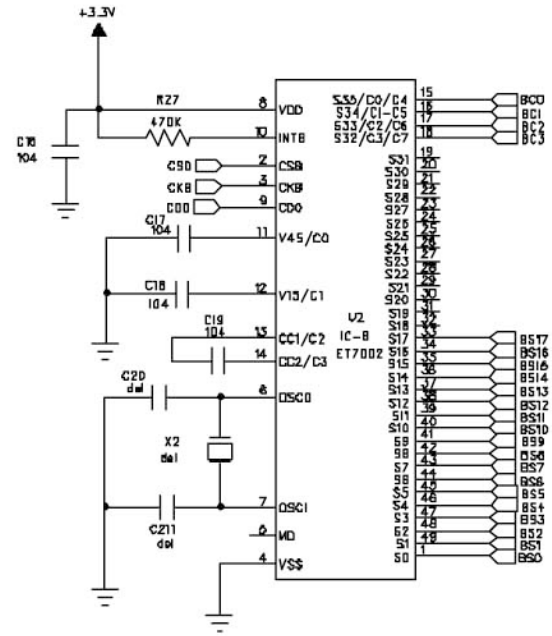
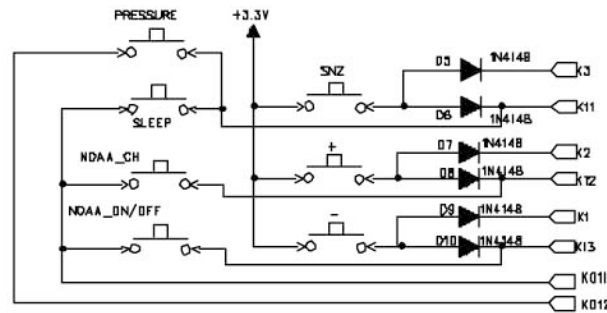


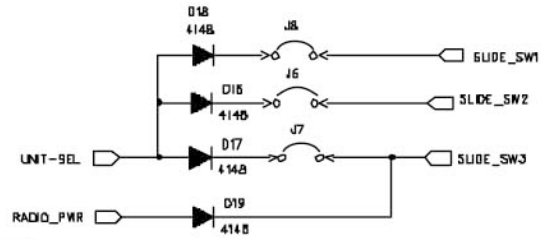
HUMIDITY J1 2% JP1
 J2 4% JP2
 J3 +/- JP3
 J4 31/62S JP4
 JP5

ADJUSTMENT OPTION
 J1: HUMID ADJ. 2%
 J2: HUMID ADJ. 4%
 J3: HUMID ADJ. +6/-6%
 J4: RF 31/62S
 J5: UNIT IS hPA
 J6: NO NOAA

		ME 3218		
		DRAW:		MATERIAL:
CHECKED:		THICKEN:		SIZE: A4
APPROVED:		UNIT:		
DATE:		PCB NO:		DOC NO. :
				REV:
		SCALE:		SHEET: 1 OF 3



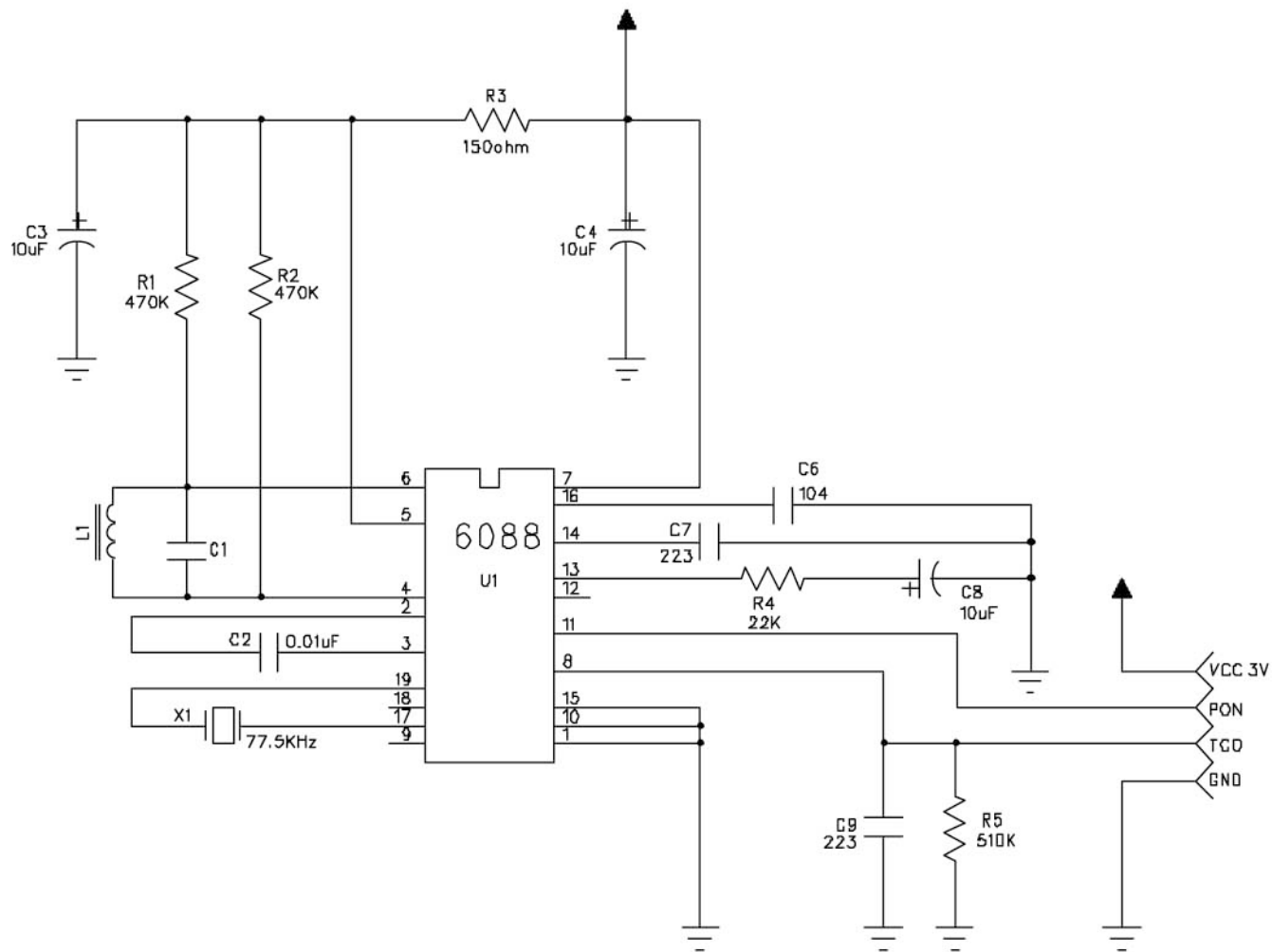
Pressure Module



	J6	J5	J7	J8
WITH NOAA	OPEN	---	---	---
NO NOAA	CLOSE	---	---	---
INHG	---	OPEN	---	---
HPA/MB	---	CLOSE	---	---
TCS 1B	---	---	OPEN	CLOSE
TCS20	---	---	OPEN	OPEN
TCS22	---	---	CLOSE	OPEN
TCS24	---	---	CLOSE	CLOSE

ME 3218

DRAW:	MATERIAL:	SIZE:	DOC NO. :	REV:
CHECKED:	THICKEN:	A4		
APPROVED:	UNIT:			
DATE:	PCB NO:	SCALE:	SHEET: 2 OF 3	



trevi		ME 3218		
DRAWN:	MATERIAL:	TITLE:		
CHECKED:	THICKEN:			
APPROVED:	DIMENSION:	SIZE:	A4	DRAWING NO.
DATE:	PCB NO:	SCALE:	SHEET: 3 OF 3	REV: