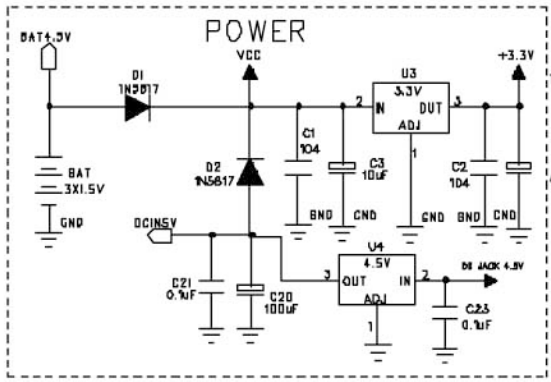


HUMIDITY
ADJUSTMENT OPTION
J1: HUMID ADJ. 2%
J2: HUMID ADJ. 4%
J3: HUMID ADJ. +/- %
J4: RF 62/315



		WD 3215	
		TITLE:	
DRAW:	MATERIAL:	SIZE:	DOC NO. :
CHECKED:	THICKEN:		
APPROVED:	UNIT:	SCALE:	SHEET: OF
DATE:	PCB NO:		

6

5

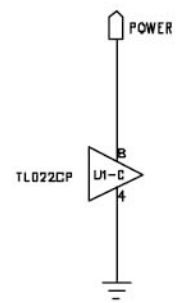
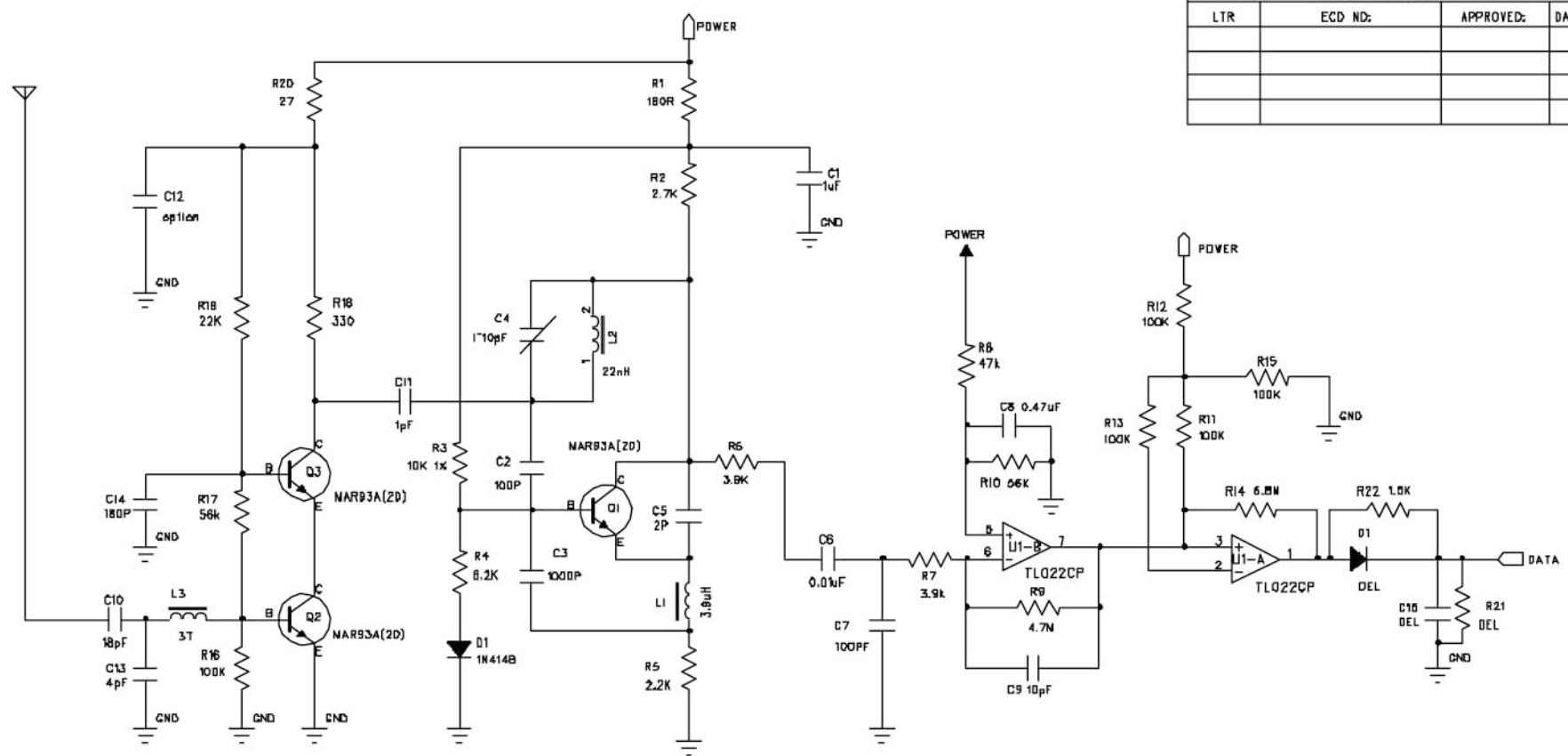
4

3

2

1

REVISION RECORD			
LTR	ECD NO:	APPROVED:	DATE:



COMPANY: **trevi**

TITLE: **WD 3215**

DRAWN:	DATED:
CHECKED:	DATED:
QUALITY CONTROL:	DATED:
RELEASED:	DATED:

CODE:	SIZE:	DRAWING NO:	REV:
SCALE:	SHEET:		OF

D

C

B

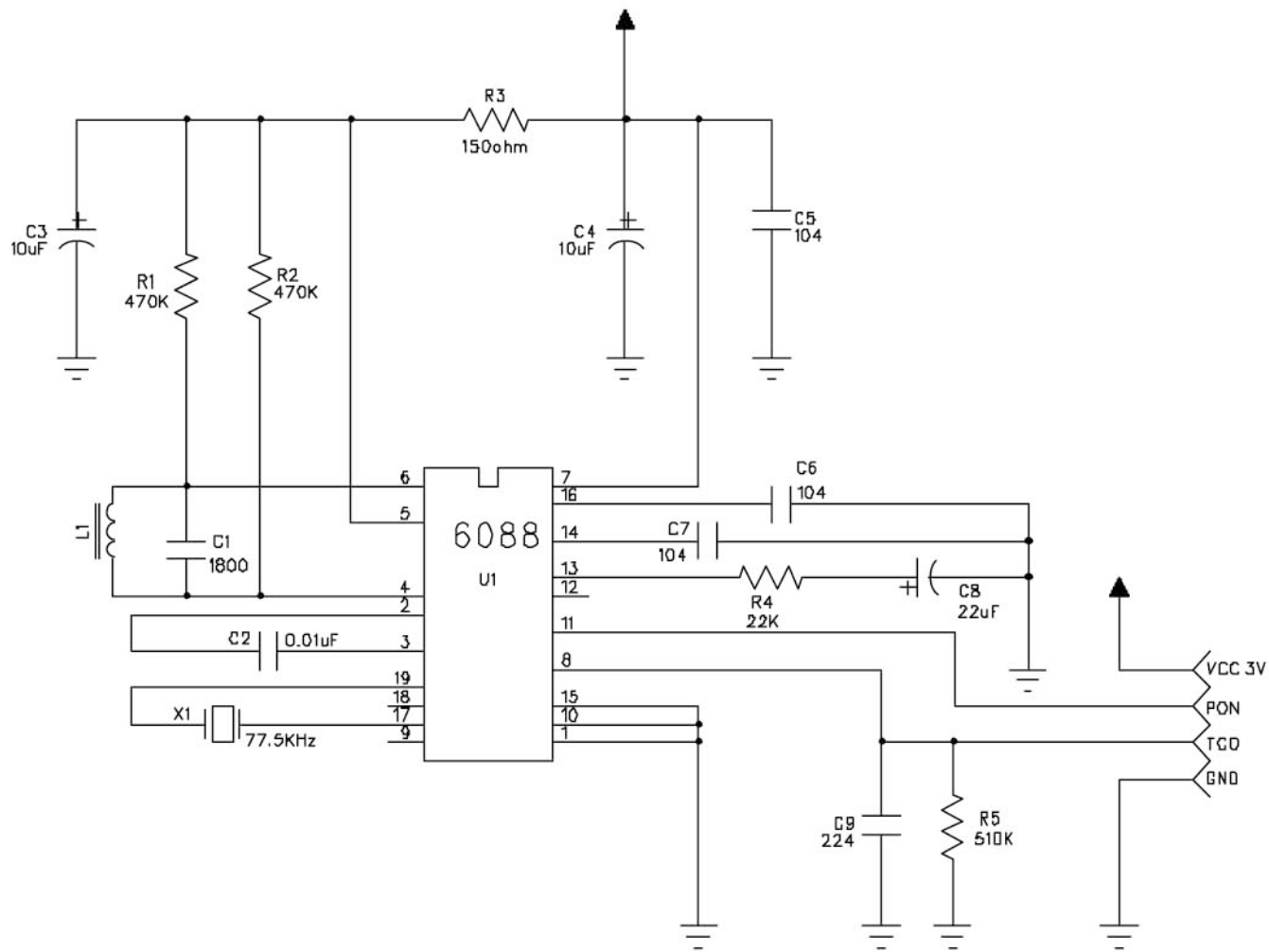
A


D

C

B

A



		WD 3215			
DRAWN:	MATERIAL:	TITLE:			
CHECKED:	THICKEN:				
APPROVED:	DIMENSION:	SIZE:	A4	DRAWING NO.	
DATE:	PCB NO:	SCALE:	SHEET:	OF	REV: